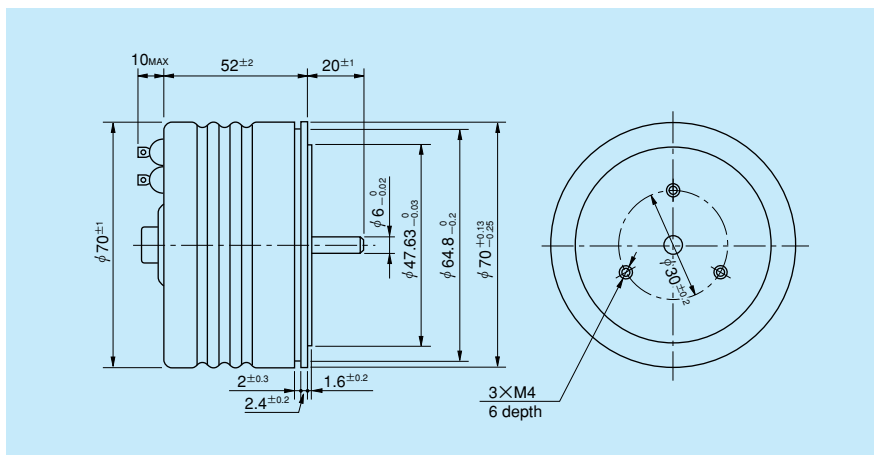




● Standard Dimensions



● General Specifications

Standard Resistance

Range: 1kΩ to 50kΩ

Total Resistance

Tolerance: Standard Class ±3% (H)
Precision Class ±1% (F)

Independent Linearity

Tolerance: Standard Class ±0.5%
Precision Class ±0.1%
(±0.2% in case of within 2kΩ)

Power Rating: 1.5W

Noise: Within 100Ω E.N.R.

Electrical Travel: 355° ±3°

Mechanical Travel: 360° (Endless)

Insulation Resistance: Over 100MΩ at 1,000V.D.C.

Dielectric Strength: 1 minute at 1,000V.A.C.

Starting Torque: Within 30mN·m (300gf·cm)

Resist. Temperature

Coefficient of Wire: ±20p.p.m./°C

Mass: Approx. 500g

● Standard Resistance Values ■ No. of Wire Turns ■ Resistance Wire Used

Resist. Value (Ω)	1k	2k	5k	10k	20k	50k
No. of Wire Turns	1,000	1,250	1,810	2,180	2,780	3,500
Resist. Wire Used	Ni-Cr System					

● Special Specifications Available

Lower resistance values (50Ω to 500Ω), Extra taps (Available up to 3 taps), Stopper (Rotating angle becomes 330° and the stopper strength is 0.9N·m [9kgf·cm]), Special electrical travel, Inch dimensional shaft dia. (φ 6.35mm), Special machining on the shaft, Rear shaft (6mm dia. and 20mm length).