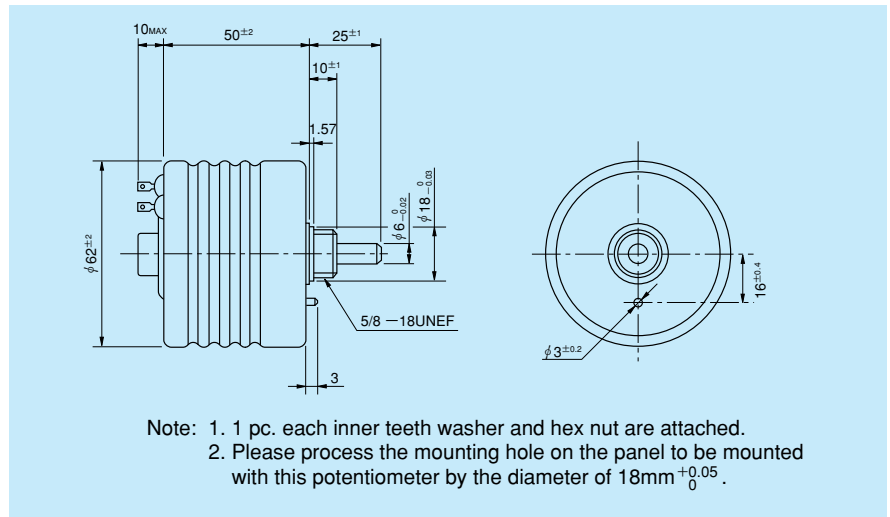




● Standard Dimensions



● General Specifications

Standard Resistance

Range: 100Ω to 20kΩ
Max. Practical Resistance Value: 50kΩ
Total Resistance Tolerance: Standard Class ±10% (K)
 Precision Class ±5% (J)

Independent Linearity

Tolerance: Standard Class ±1.0%
 Precision Class ±0.5%

Power Rating: 5.0W

Noise: Within 100Ω E.N.R.

Electrical Travel: 280° ±5°
Mechanical Travel: 300° ±5°
Insulation Resistance: Over 100MΩ at 1,000V.D.C.
Dielectric Strength: 1 minute at 1,000V.A.C.
Starting Torque: Within 30mN·m (300gf·cm)
Stopper Strength: Approx. 0.9N·m (9kgf·cm)
Resist. Temperature Coefficient of Wire: ±20p.p.m./°C
Mass: Approx. 330g

● Standard Resistance Values ■ No. of Wire Turns ■ Resistance Wire Used

Resist. Value (Ω)	100	200	500	1k	2k	5k	10k	20k	※50k
No. of Wire Turns	260	320	370	420	550	650	900	1,000	1,200
Resist. Wire Used	Cu-Ni System					Ni-Cr System			

Note: Mark ※shows value at special higher practical resistance.

● Special Specifications Available

Extra taps (Available up to 1 tap), Multi-ganged (Available up to 2 gangs), Special electrical travel, Inch dimensional shaft dia. (φ 6.35mm) • Bushing with inch dimensions, Special machining on the shaft, No mechanical stopper (Electrical travel remains 280°±5°), Rear shaft (6mm dia. and 25mm length).