



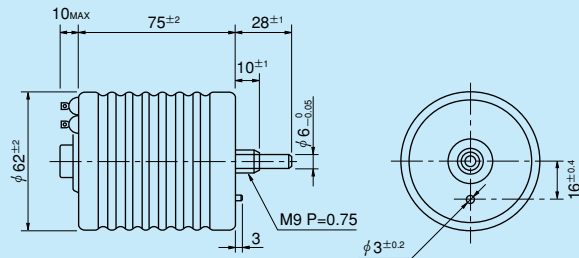
Model OF46HD-10

● Standard Model Nos.

- Bushingsmount type:**
OF46HD-10 (10-turn)
- Servomount type:**
OF46HDS-10 (10-turn)

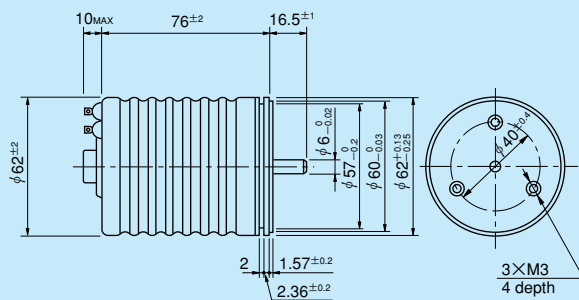
● Standard Dimensions

■ Bushingsmount Type



Note: 1 pc. inner teeth washer and 2 pcs. hex nuts are attached.

■ Servomount Type



● General Specifications

- Standard Resistance Range:** 100Ω to 100kΩ
- Max. Practical Resistance Value:** 200kΩ
- Total Resistance Tolerance:** Standard Class ±3% (H) (±5% (J) in case of within 1kΩ) Precision Class ±1% (F)
- Independent Linearity Tolerance:** Standard Class ±0.3% Precision Class ±0.1% (±0.15% in case of on and within 5kΩ)
- Power Rating:** 5.0W

- Noise:** Within 100Ω E.N.R.
- Electrical Travel:** 3,600° ±5°
- Mechanical Travel:** 3,600° +10°₀
- Insulation Resistance:** Over 100MΩ at 1,000V.D.C.
- Dielectric Strength:** 1 minute at 1,000V.A.C.
- Starting Torque:** Within 30mN·m (300gf·cm)
- Stopper Strength:** Approx. 0.9N·m (9kgf·cm)
- Max. Working Voltage:** 900V
- Resist. Temperature Coefficient of Wire:** ±20p.p.m./°C
- Mass:** Approx. 290g

● Standard Resistance Values ■ No. of Wire Turns ■ Resistance Wire Used

Resist. Value (Ω)	100	200	500	1k	2k	5k	10k	20k	50k	100k	※200k
No. of Wire Turns	2,500	3,180	4,350	5,400	6,850	6,660	8,550	10,850	14,900	18,850	24,390
Resist. Wire Used	Cu-Ni System					Ni-Cr System					

Note: Mark ※ shows values at special higher practical resistance.

● Special Specifications Available

Multi-ganged (Available up to 2 gangs. Please note that mounting method is changed from bushingsmount to screw-mounting), Limit-switches, 3-turn and 5-turn type (These housing lengths are the same as that of 10-turn type: 75±2mm), Shaft dia. (φ6.35mm) • Bushing with inch dimensions, Special machining on the shaft, Rear shaft with 6mm dia. and 28mm length.