



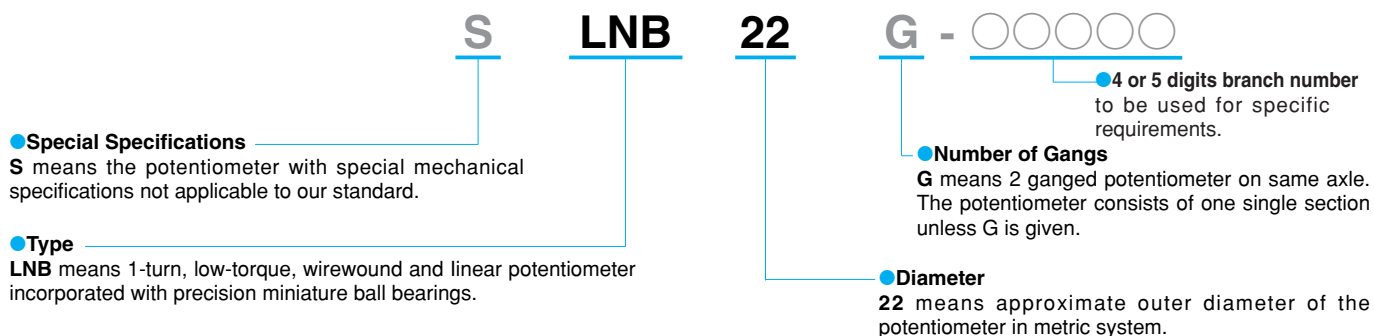
LOW-TORQUE POTENTIOMETER

(Precision 1-turn, Low-torque, Wirewound Element)

SAKAE Low-torque Potentiometers with a wirewound resistive element are very small in size and light in weight. It offers a very low starting torque of below $0.1\text{mN} \cdot \text{m}$ ($1\text{gf} \cdot \text{cm}$) in Model LNB22. Electrical detection of

inclination, vibration, etc. is easily possible by installing these potentiometers on float, bellows, etc. These models are only available with wirewound resistive element as standard version.

THE NOMENCLATURE OF SAKAE LOW TORQUE POT.

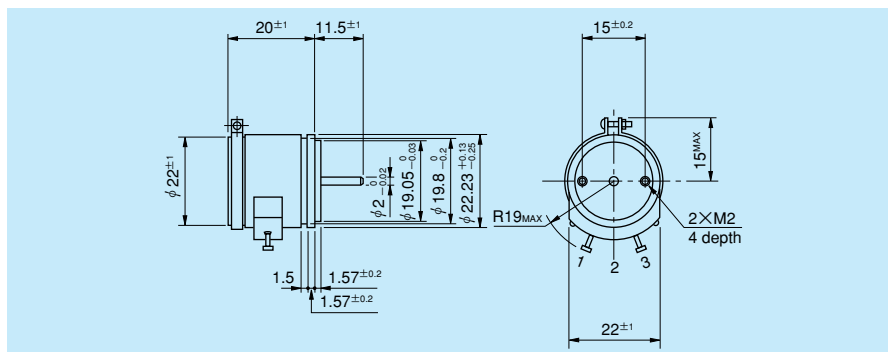


Wirewound

MODEL LNB22

(Servomount)

Standard Dimensions



General Specifications

Standard Resistance Range:	100 Ω to 20k Ω	$\geq 2\text{k}\Omega$ Within $0.1\text{mN} \cdot \text{m}$ ($1.0\text{gf} \cdot \text{cm}$) (within electrical travel)
Total Resistance Tolerance:	Standard Class $\pm 3\%$ (H) Precision Class $\pm 1\%$ (F)	
Independent Linearity Tolerance:	Standard Class $\pm 0.5\%$ Precision Class $\pm 0.25\%$	
Power Rating:	0.3W	
Noise:	Within 100 Ω E.N.R.	
Electrical Travel:	$355^\circ \pm 5^\circ$	
Mechanical Travel:	360° (Endless)	
Insulation Resistance:	Over 1,000M Ω at 1,000V.D.C.	
Dielectric Strength:	1 minute at 1,000V.A.C.	
Starting Torque:	$< 2\text{k}\Omega$ Within $0.15\text{mN} \cdot \text{m}$ ($1.5\text{gf} \cdot \text{cm}$) (within electrical travel)	
Max. Working Voltage:		80V
Resist. Temperature Coefficient of Wire:		$\pm 20\text{p.p.m./}^\circ\text{C}$
Operating Temperature Range:		$-30^\circ\text{C} \sim +85^\circ\text{C}$
Life Expectancy, Shaft Revolutions:		100,000
Mass:		Approx. 20g

Environmental Performances:

Please see the table on page 58.

● Standard Resistance Values ■ No. of Wire Turns ■ Resistance Wire Used

Resist. Value (Ω)	100	200	500	1k	2k	5k	10k	20k
No. of Wire Turns	370	470	450	570	740	1,000	1,270	1,670
Resist. Wire Used	Cu-Ni System		Ni-Cr System					

● Special Specifications Available

Extra taps (Available up to 1 tap), 2 ganged, Rear shaft (2mm dia. and 10mm length), Special electrical travel, Special machining on the shaft.

SPECIMEN FOR REFERENCE

Model SFCP18A-2172F



(1-turn Pot. with special housing case and completely sealed -IP65-.)

Model SLNB30-2546B



(1-turn Pot. with low-torque and special housing case.)