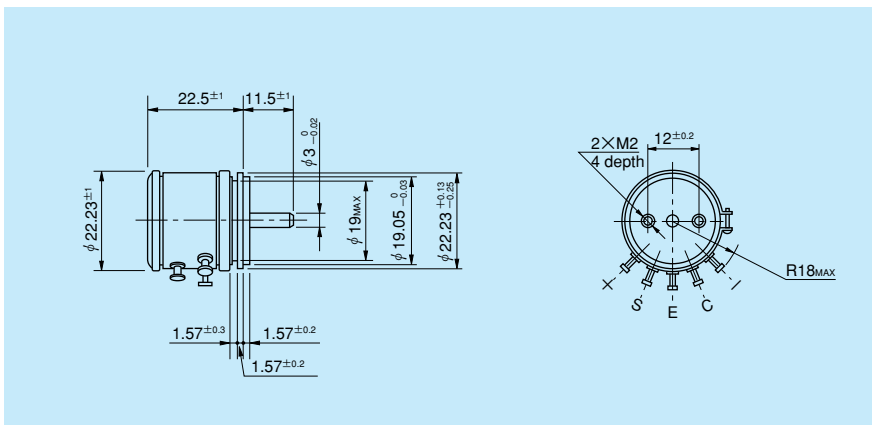


● Standard Dimensions

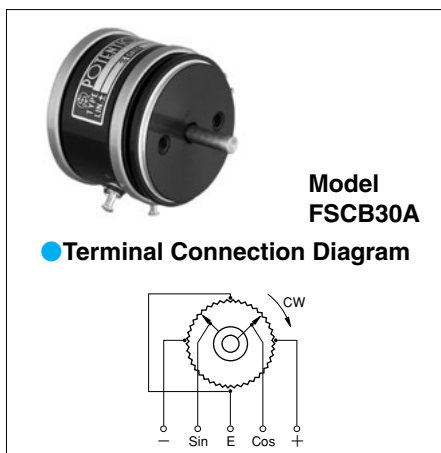


● General Specifications

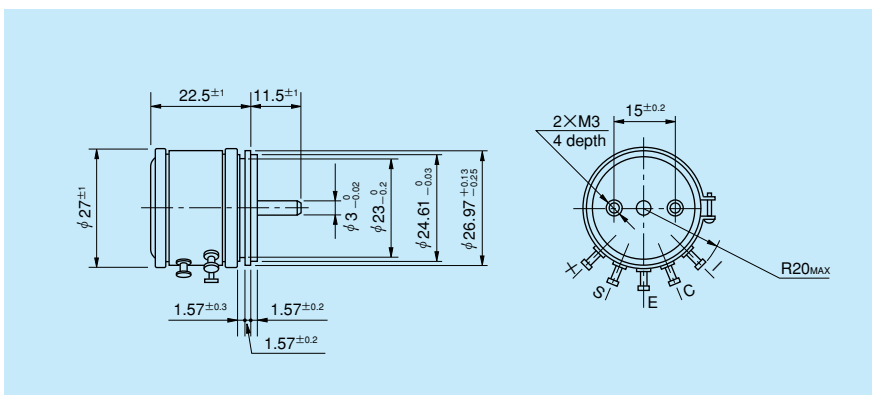
|   |   |   |                                   |
|---|---|---|-----------------------------------|
| <b>Standard Resistance Values:</b>          | 1k, 2k, 5k, 10k ( $\Omega$ )                                    | <b>Power Rating:</b>                    | 0.5W                              |
| <b>Special Practical Resistance Values:</b> | 500, 20k, 50k ( $\Omega$ )                                      | <b>Electrical Travel:</b>               | 360° (Endless)                    |
| <b>Total Resistance Tolerance:</b>          | Standard Class $\pm 15\%$ (L)<br>Precision Class $\pm 10\%$ (K) | <b>Mechanical Travel:</b>               | 360° (Endless)                    |
| <b>Conformity Tolerance:</b>                | Standard Class $\pm 2.0\%$<br>Precision Class $\pm 1.0\%$       | <b>Insulation Resistance:</b>           | Over 1,000M $\Omega$ at 500V.D.C. |
| <b>Resolution:</b>                          | Essentially infinite  | <b>Dielectric Strength:</b>             | 1 minute at 500V.A.C.             |
| <b>Output Smoothness:</b>                   | Within 0.1% against input voltage                               | <b>Starting Torque:</b>                 | Within 3mN·m (30gf·cm)            |
| <b>Contact Resistance Variation:</b>        | Within 8% C.R.V.  | <b>Max. Working Voltage:</b>            | 250V                              |
|   |   | <b>Resist. Temperature Coefficient:</b> | $\pm 400$ p.p.m./°C               |
|   |   | <b>Mass:</b>                            | Approx. 20g                       |

● Special Specifications Available

Multi-ganged (Available up to 8 gangs. Housing length is extended by 16mm per 1 gang), Rear shaft (3mm dia. and 10mm length), Inch dimensional shaft dia. ( $\phi$  3.175mm), Special machining on the shaft, Oil-filled type.



● Standard Dimensions



● General Specifications

**Standard Resistance**

**Values:** 1k, 2k, 5k, 10k ( $\Omega$ )

**Special Practical**

**Resistance Values:** 500, 20k, 50k ( $\Omega$ )

**Total Resistance**

**Tolerance:** Standard Class  $\pm 15\%$  (L)  
Precision Class  $\pm 10\%$  (K)

**Conformity**

**Tolerance:** Standard Class  $\pm 1.0\%$   
**(Peak-Peak)** Precision Class  $\pm 0.7\%$

**Resolution:** Essentially infinite

**Output Smoothness:** Within 0.1% against input voltage

**Contact Resistance**

**Variation:** Within 8% C.R.V.

**Power Rating:** 0.75W

**Electrical Travel:** 360° (Endless)

**Mechanical Travel:** 360° (Endless)

**Insulation Resistance:** Over 1,000M $\Omega$  at 500V.D.C.

**Dielectric Strength:** 1 minute at 500V.A.C.

**Starting Torque:** Within 3mN·m (30gf·cm)

**Max. Working Voltage:** 250V

**Resist. Temperature**

**Coefficient:**  $\pm 400$ p.p.m./°C

**Mass:** Approx. 30g

● Special Specifications Available

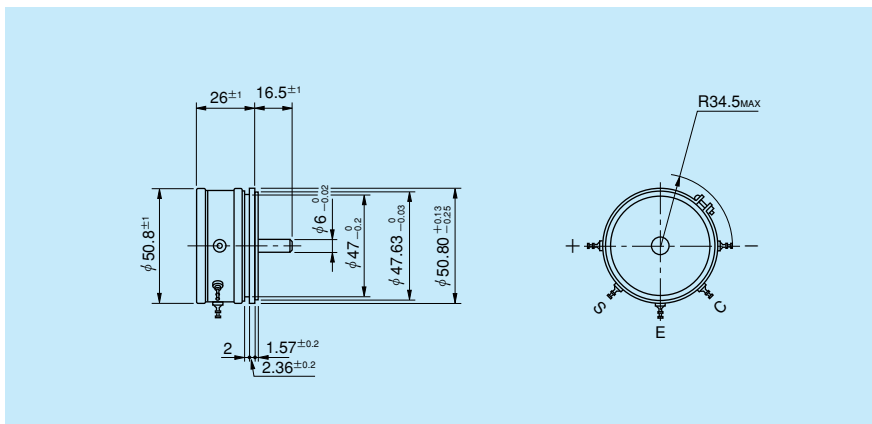
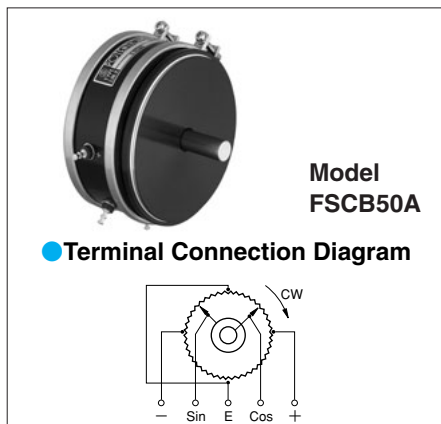
Multi-ganged (Available up to 3 gangs. Housing length is extended by 16mm per 1 gang), Rear shaft (3mm dia. and 10mm length), Inch dimensional shaft dia. ( $\phi$  3.175mm) Special machining on the shaft.

Conductive Plastic

MODEL FSCB50A

(Servomount)

● Standard Dimensions



● General Specifications

**Standard Resistance**

**Values:** 1k, 2k, 5k, 10k ( $\Omega$ )

**Special Higher**

**Practical Resistance**

**Values:** 20k, 50k, 100k ( $\Omega$ )

**Total Resistance**

**Tolerance:** Standard Class  $\pm 15\%$  (L)  
Precision Class  $\pm 10\%$  (K)

**Conformity Tolerance:**

**(Peak-Peak)** Standard Class  $\pm 0.5\%$   
Precision Class  $\pm 0.3\%$   
Super Precision Class  $\pm 0.2\%$

**Resolution:** Essentially infinite

**Output Smoothness:** Within 0.1% against input voltage

**Contact Resistance**

**Variation:** Within 8% C.R.V.

**Power Rating:** 1.25W

**Electrical Travel:** 360° (Endless)

**Mechanical Travel:** 360° (Endless)

**Insulation Resistance:** Over 1,000M $\Omega$  at 1,000V.D.C.

**Dielectric Strength:** 1 minute at 1,000V.A.C.

**Starting Torque:** Within 5mN·m (50gf·cm)

**Max. Working Voltage:** 250V

**Resist. Temperature**

**Coefficient:**  $\pm 400$ p.p.m./°C

**Mass:** Approx. 120g

● Special Specifications Available

Multi-ganged (Available up to 3 gangs. Housing length is extended by 17mm per 1 gang), Rear shaft (6mm dia. and 15mm length), Bushingmount type, Inch dimensional shaft dia. ( $\phi$  6.35mm) Special machining on the shaft, Oil-filled type.