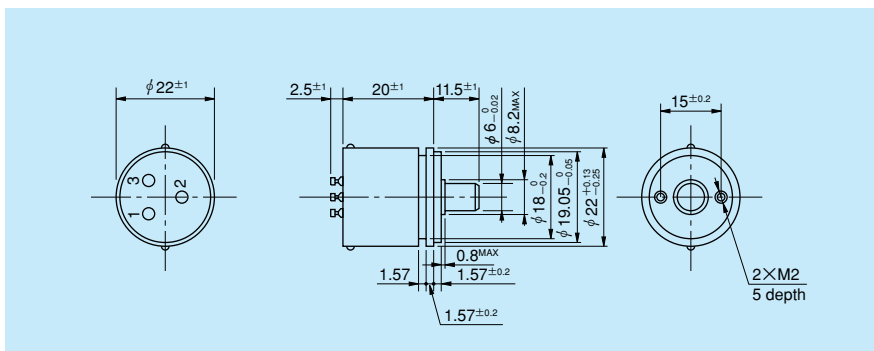




● Standard Dimensions



● General Specifications

Standard Resistance

Values:	1k, 2k, 5k, 10k (Ω)
Special Practical Resistance Values:	500, 20k, 50k, 100k (Ω)
Total Resistance Tolerance:	Standard Class $\pm 15\%$ (L) Precision Class $\pm 10\%$ (K)
Independent Linearity Tolerance:	Standard Class $\pm 1.0\%$ Precision Class $\pm 0.5\%$
Resolution:	Essentially infinite
Output Smoothness:	Within 0.1% against input voltage

Contact Resistance

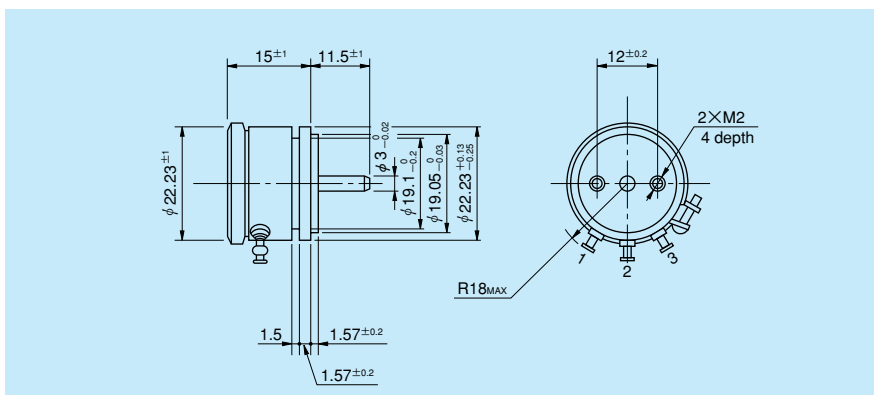
Variation:	Within 2% C.R.V.
Power Rating:	1.0W
Electrical Travel:	$320^\circ \pm 5^\circ$
Mechanical Travel:	360° (Endless)
Insulation Resistance:	Over 1,000M Ω at 500V.D.C.
Dielectric Strength:	1 minute at 500V.A.C.
Starting Torque:	Within 5mN·m (50gf·cm)
Resistance Temperature Coefficient:	± 400 p.p.m./ $^\circ\text{C}$
Mass:	Approx. 30g

● Special Specifications Available

Extra taps (Available up to 1 tap), Rear shaft (3mm dia. and 20mm length), Stopper (Rotating angle becomes 320° and stopper strength is $0.9\text{N}\cdot\text{m}$ [9kgf·cm]), Special electrical travel, Inch dimensional shaft dia. (ϕ 6.35mm), Special machining on the shaft, Ball bearings incorporated.



● Standard Dimensions



● General Specifications

Standard Resistance Values:	1k, 2k, 5k, 10k (Ω)	Contact Resistance Variation:	Within 2% C.R.V.
Special Practical Resistance Values:	200,500, 20k, 50k, 100k (Ω)	Power Rating:	1.0W
Total Resistance Tolerance:	Standard Class $\pm 10\%$ (K)	Electrical Travel:	$320^\circ \pm 5^\circ$
Independent Linearity Tolerance:	Standard Class $\pm 1.0\%$ Precision Class $\pm 0.5\%$ Super Precision Class $\pm 0.25\%$	Mechanical Travel:	360° (Endless)
Resolution:	Essentially infinite	Insulation Resistance:	Over 1,000M Ω at 1,000V.D.C.
Output Smoothness:	Within 0.1% against input voltage	Dielectric Strength:	1 minute at 1,000V.A.C.
		Starting Torque:	Within 1.5mN·m (15gf·cm)
		Resistance Temperature Coefficient:	± 400 p.p.m./ $^\circ\text{C}$
		Mass:	Approx. 20g

● Special Specifications Available

Extra taps (Available up to 1 tap), Multi-ganged (Available up to 5 gangs, Housing length is extended by 8.5mm per 1 gang), Rear shaft (3mm dia. and 10mm length), Stopper (Rotating angle becomes 320° and stopper strength is 0.3N·m [3kgf·cm]), Special electrical travel, Inch dimensional shaft dia. (ϕ 3.175mm) Special machining on the shaft.

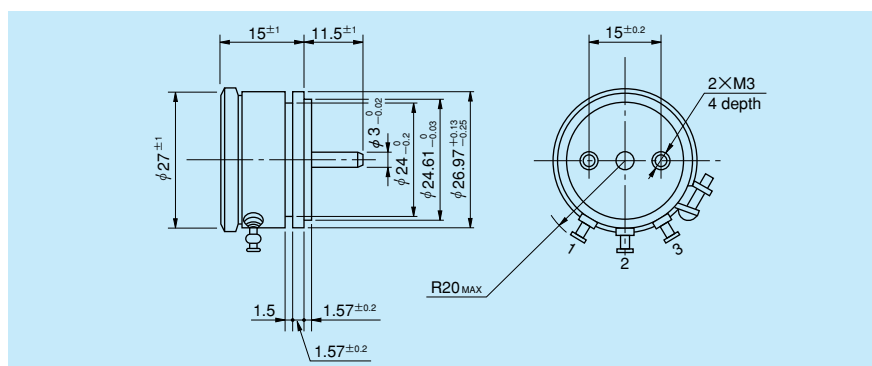
Conductive Plastic

MODEL FCP30A

(Servomount)



● Standard Dimensions



● General Specifications

Standard Resistance Values:	1k, 2k, 5k, 10k (Ω)	Contact Resistance Variation:	Within 2% C.R.V.
Special Practical Resistance Values:	500, 20k, 50k, 100k (Ω)	Power Rating:	1.5W
Total Resistance Tolerance:	Standard Class $\pm 10\%$ (K)	Electrical Travel:	$340^\circ \pm 5^\circ$
Independent Linearity Tolerance:	Standard Class $\pm 1.0\%$ Precision Class $\pm 0.5\%$ Super Precision Class $\pm 0.2\%$	Mechanical Travel:	360° (Endless)
Resolution:	Essentially infinite	Insulation Resistance:	Over 1,000M Ω at 1,000V.D.C.
Output Smoothness:	Within 0.1% against input voltage	Dielectric Strength:	1 minute at 1,000V.A.C.
		Starting Torque:	Within 2mN·m (20gf·cm)
		Resistance Temperature Coefficient:	± 400 p.p.m./ $^\circ\text{C}$
		Mass:	Approx. 25g

● Special Specifications Available

Extra taps (Available up to 1 tap), Multi-ganged (Available up to 5 gangs, Housing length is extended by 8.5mm per 1 gang), Rear shaft (3mm dia. and 10mm length), Stopper (Rotating angle becomes 320° and stopper strength is 0.3N·m [3kgf·cm]), Special electrical travel, Shaft dia. (ϕ 3.175mm) with inch dimensions, Special machining on the shaft.