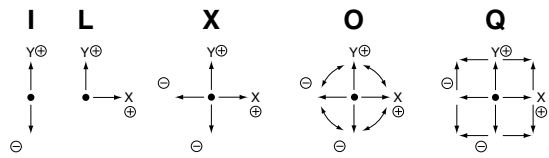


50JC

Potentiometer with a conductive plastic resistive element

Nomenclature

- S means special mechanical specifications not applicable to our standards.
- 50 means approx. size of base housing in mm.
- J means joystick controller.
- C means 1 and 2-dimensional coordinates is available and also means potentiometers outside-mounted type. Dust proof rubber cover and spring return device are available as standard version.
- K means square shape.
- Y means kind of mechanism:
X : 1-dimensional coordinate. Y : 2-dimensional coordinate.
- Available directions of lever operation
Standard version:
O : Omni-directional 360° operating type.
Special version:
I : I figure (Y) directional operating type.
L : L figure(+Y, +X only) directional operating type.
X : Cross directional of X and Y operating type.
Q : Square-directional 360° operating angle.
S : Special operating directions other than the above-mentioned types.



Number of potentiometers to be mounted.
 0...no potentiometer mounted. 2...2 potentiometers mounted.
 1...1 potentiometer mounted. 3...3 potentiometers mounted.

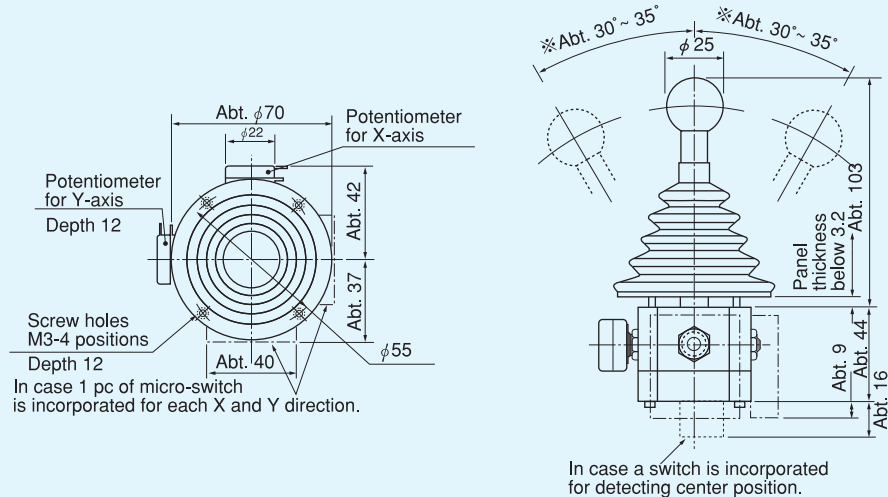
Number of switches to be mounted.
 0...no switch mounted. 4...4 switches mounted.
 1...1 switch mounted. 5...5 switches mounted.
 2...2 switches mounted. 6...6 and over 6 switches mounted.
 3...3 switches mounted. 9...other switches to your special request.

With spring return device : (50JC standard)
 R1: with spring return device for 1-dimensional coordinate.
 R2: with spring return device for 2-dimensional coordinate.

Mounting accessories : G: with dust proof rubber cover.(50JC standard) P: with sub-panel for mounting.

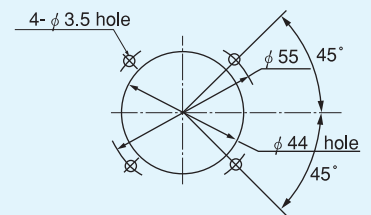
Special part number :
 In case we produce customized product, we add 4-digit or 5-digit branch number.

Standard Dimensions



Panel Arrangements

(In case of 1 and 2-dimensional coordinates)



(Unit : mm)



50JCK-YO-20R2G
(Standard)
(2-dimensional coordinate type)



S50JCK-YO-25R2G
(With 5 micro-switches and 1 of them is for detecting the center position)

STANDARD SPECIFICATIONS

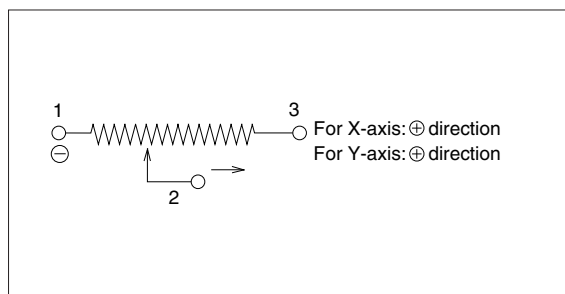
●Mechanical Performance

- Controlling range of operating lever :**
 - 2-dimensional coordinate type : Omni-directionally approx. $\pm 30^\circ \sim \pm 35^\circ$ operation from center position.
- Operating force :** Standard spring return device : Automatically return to center (omni-directional type)
Approx. 3~15N (300~ 1,500gf.)
- Operating temperature range :** $-20^\circ\text{C} \sim +65^\circ\text{C}$
- Vibration :** 10~55Hz 98m/s²
- Shock :** 294m/s²
- Life expectancy :** Approx. 5,000,000 operations.
- Mass :** Approx. 350g

●Electrical Performance

- Potentiometers mounted :** SFCP22E 10k Ω $\pm 15\%$, 0.2W, independent linearity tolerance $\pm 3\%$ (conductive plastic resistive element). (Electrical rotating angle : Approx. 60°)
[All terminals can be fitted with the AMP110 series fasten receptacle (2.8 × 0.5mm) or equivalents.]
- Output smoothness :** Below 0.2% against input voltage.
- Contact resistance variation :** Below 5% C.R.V.
- Resolution :** Essentially infinite
- Dielectric strength :** 1 minute at 500V.A.C.
- Insulation resistance :** Over 1,000M Ω at 500V.D.C.

●Terminal Connection Diagram

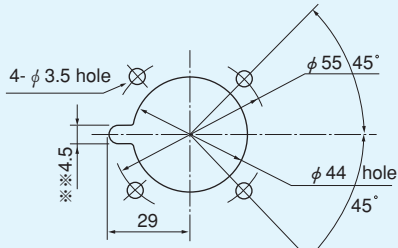


●Special Specification Available

Please see page 47, a table of "Standard and Special Specifications Available".

■Panel Arrangements

(in case of with knob type 102A)



- Note : 1) In case of type Q, the angle of mark "※" becomes 360° square-direction and $\pm 20^\circ \sim \pm 25^\circ$ from center position.
- 2) In case of JC with knob type 102A, if other components, except our standard pot model SFCP22E, are mounted, the position of mark "※※" may be changed to other position.
- 3) 4 pcs. of mounting screws (M3 × 14) are attached.

(Unit : mm)