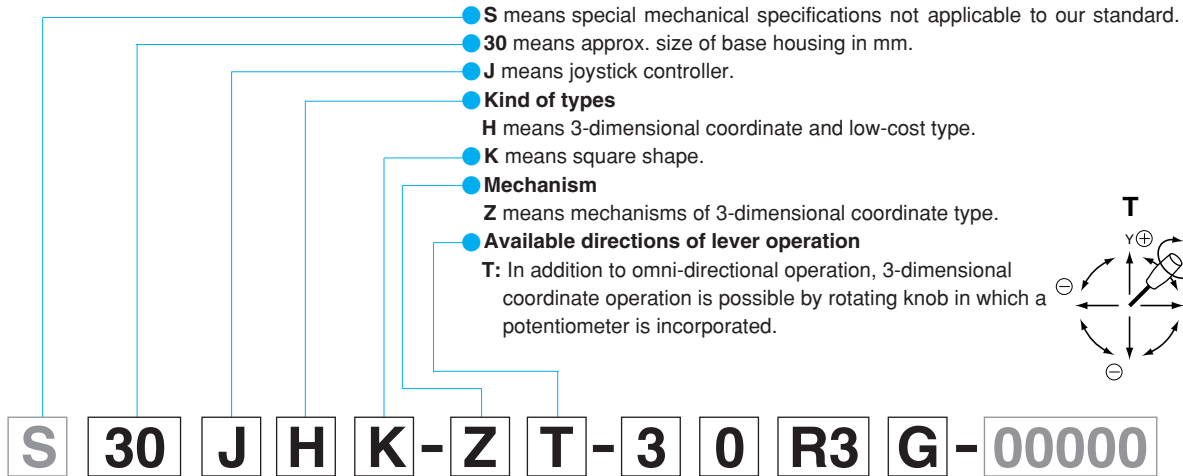


30JH

Potentiometer with a conductive plastic resistive element

Nomenclature



Number of potentiometers to be incorporated.

2...2 potentiometers incorporated (in case of the knob with an incorporated switch.)

3...3 potentiometers incorporated.

Number of Switches to be incorporated.

0...no switch incorporated.

2...2 switches incorporated (These switches are active at the both ends of Z axis. These switches are incorporated inside Z-axis instead of potentiometer. This is special version.)

With spring return device :

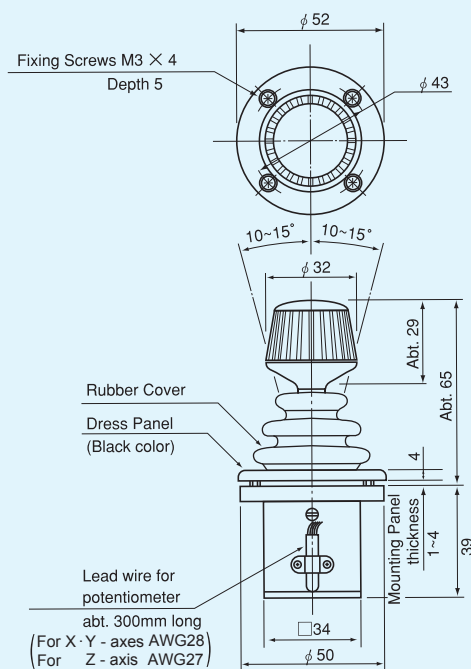
R3 : with spring return device for 3-dimensional coordinate type. (30JH standard option)

Mounting accessories : G: with dust proof rubber cover. (30JH standard option) **P**: with sub-panel for mounting.

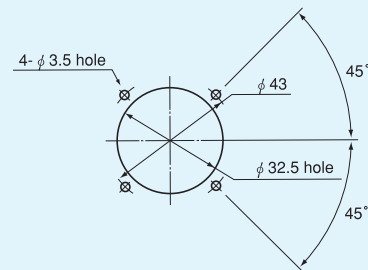
Special part number :

In case we produce customized products, we add 4-digit or 5-digit branch number.

Standard Dimensions



Panel Arrangements



Note: 1) 4 pcs. of mounting screws (M3 × 8) are attached.
 2) Fastening torque of fixing screws shall be below 400mN·m(4kgf·cm).

(Unit : mm)

